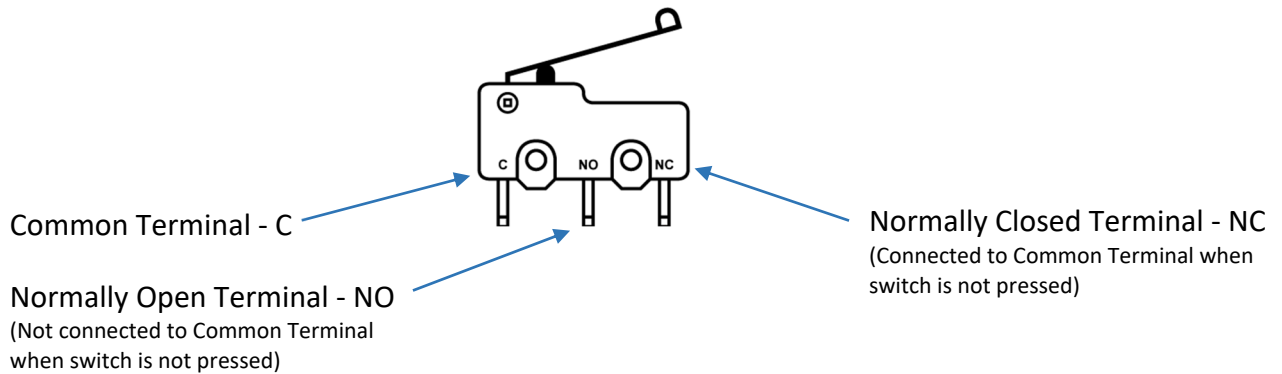
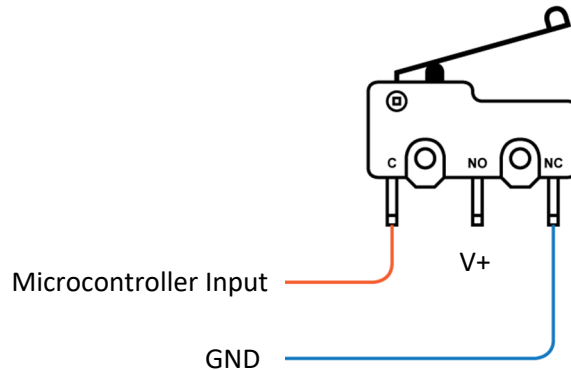


Limit Switch Wiring



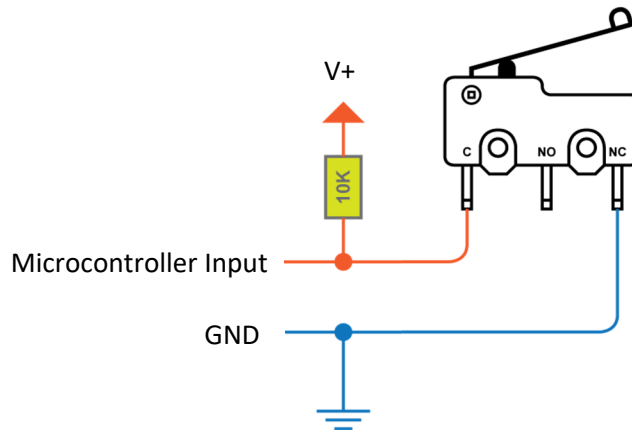
No Resistor

Input pin is grounded while switch is not pressed and is pulled up to +V when switch is pressed



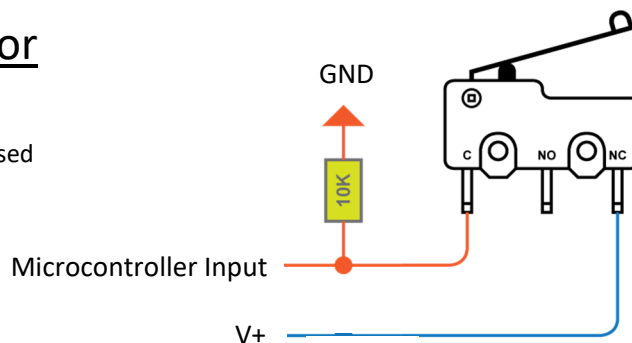
Pull Up Resistor

Input is grounded while switch is not pressed and is pulled up to +V when switch is pressed

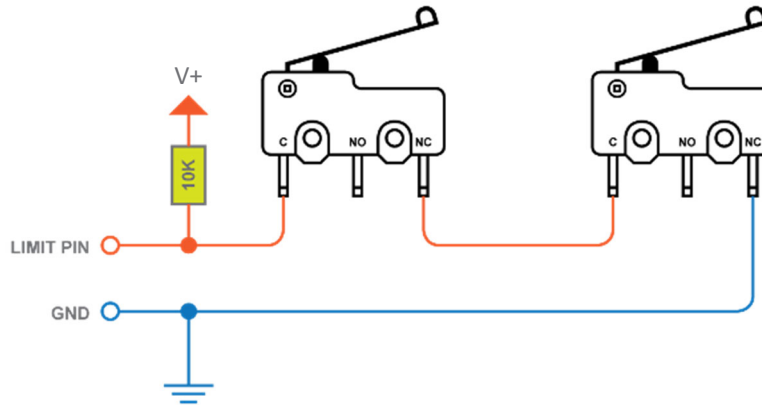


Pull Down Resistor

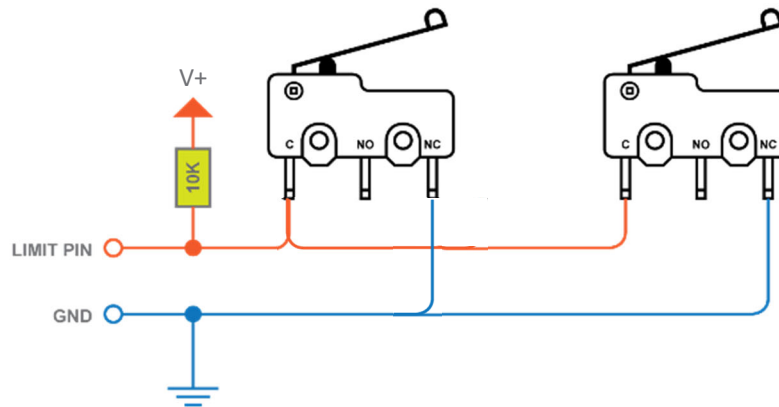
Input is pulled up to +V while switch is not pressed and is grounded when switch is pressed



Multiple Switches (series connection – pressing any switch will trigger)



Multiple Switches (Parallel connection – pressing all switches will trigger)



Cutaways of Common Switches

